

Outdoor Constructed Features



Outdoor Constructed Features



Picnic Facilities

Developed for outdoor recreational purposes that contains picnic units



Picnic Unit

Outdoor space in
a picnic facility
that contains
outdoor
constructed
features



Picnic Facilities



At least 20% of picnic units in picnic facility
where two or more picnic units are provided

Two or fewer = each accessible

Camping Facilities

Camping facility – developed for outdoor recreational purposes that contains camping units



Camping Unit

Outdoor space in a camping facility that contains outdoor constructed features, RV parking spaces, tent pads or tent platforms, or camp shelters



Camping Facilities

| Total Number of Camping Units Provided in Camping Facility | Minimum Number of Accessible Camping Units Required |
|--|---|
| 1 | 1 |
| 2 to 25 | 2 |
| 26 to 50 | 3 |
| 51 to 75 | 4 |
| 76 to 100 | 5 |
| 101 to 150 | 7 |
| 151 to 200 | 8 |
| 201 and over | 8, plus 2 percent of the number over 200 |

Common Use Areas

20% of outdoor constructed features in public and common use areas serving accessible picnic units

Dispersion of accessible picnic units required

ORAR connection



Viewing Area

Outdoor space developed for viewing a landscape or point of interest



Outdoor Constructed Features:

Bench

Camp Shelter

Fire Ring, Grill, Wood
Stove, & Fireplace

Outdoor Rinsing
Shower

Parking Space

Picnic Table

Tent Pad



Outdoor Constructed Features:

- Tent Platform
- Trash/Recycling Receptacle
- Utility/Sewage Connection
- Viewing Area
- Viewing Scope
- Water Spout





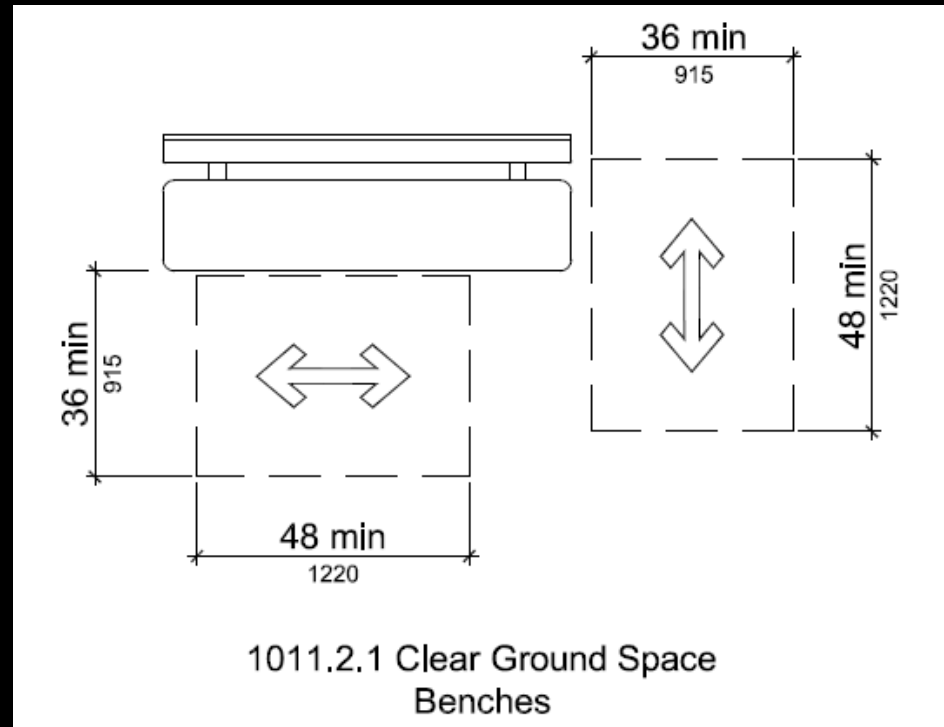
Benches

Clear Ground Space:

36" min x 48" in any orientation to the bench.

Positioned for Shoulder to Shoulder recommended

Not to overlap ORAR or Trail





Camp Shelters





Camp Shelters

Clear Ground Space:

48"min x 36"min

Oriented Parallel

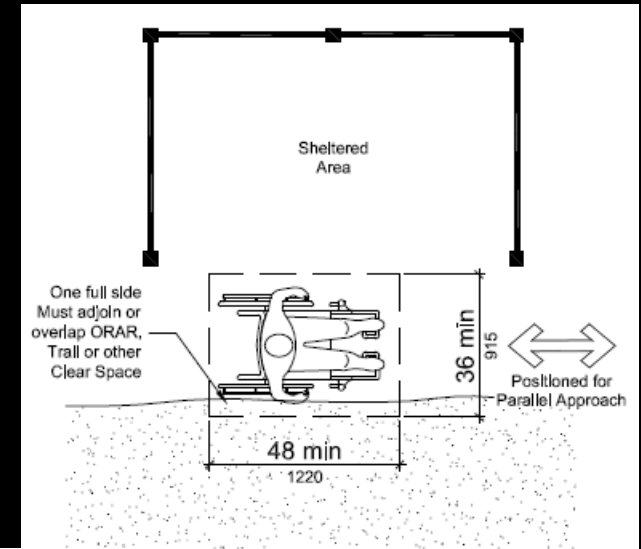
Can Overlap ORAR

Turning Space Inside:

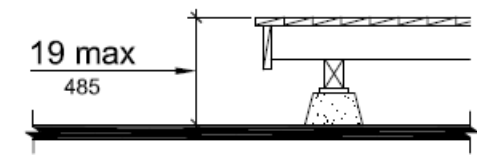
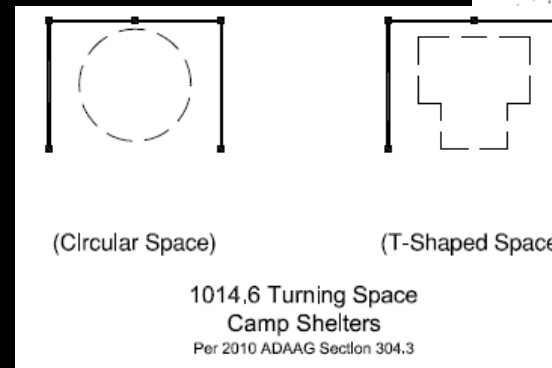
Per section 304.3

Platform Height:

19"max



1014.2 Clear Ground Space
Camp Shelters



1014.5 Floor Height
Camp Shelters

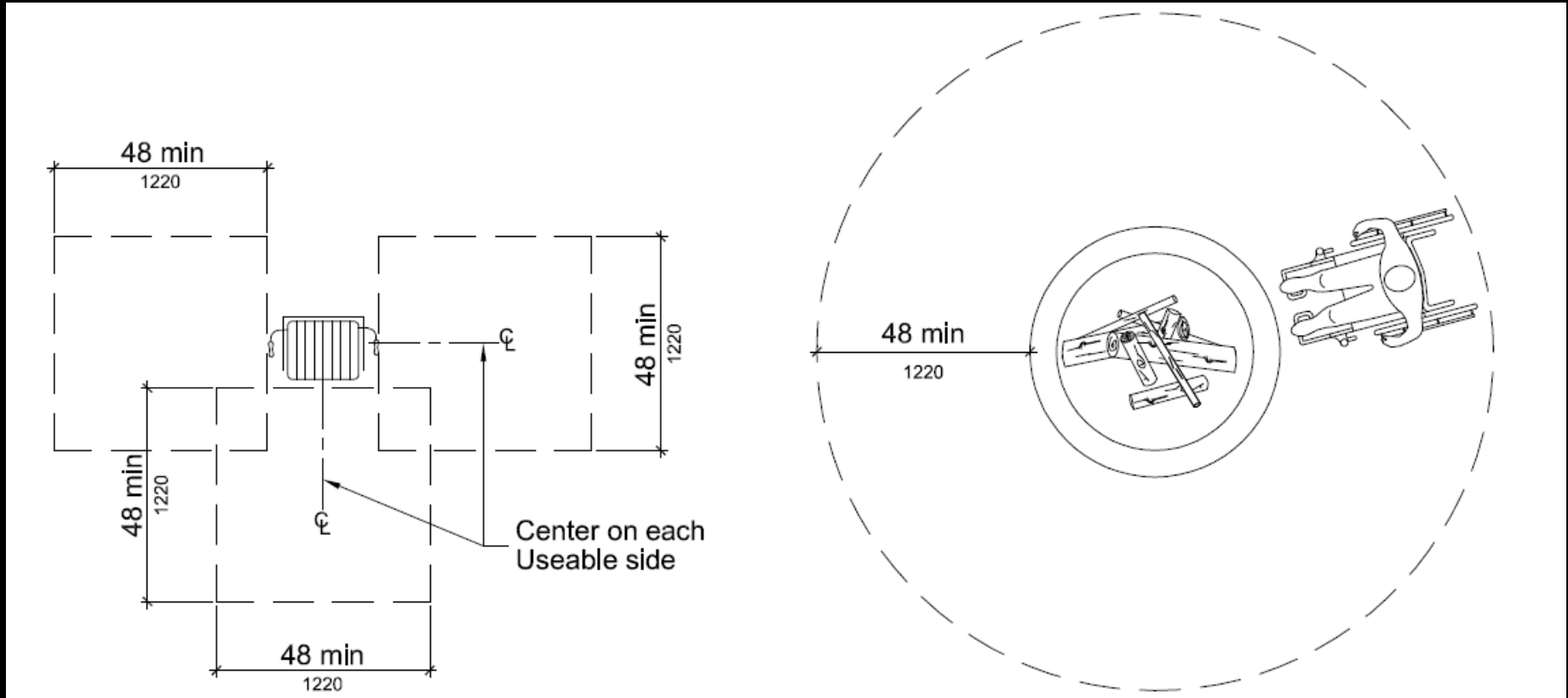


Fire Rings, Grills, Fireplaces, and Wood Stoves





Fire Rings, Grills, Fireplaces, and Wood Stoves



Clear Space: 48" x 48" on all useable sides



Fire Rings, Grills, Fireplaces, and Wood Stoves

Cooking Surface:

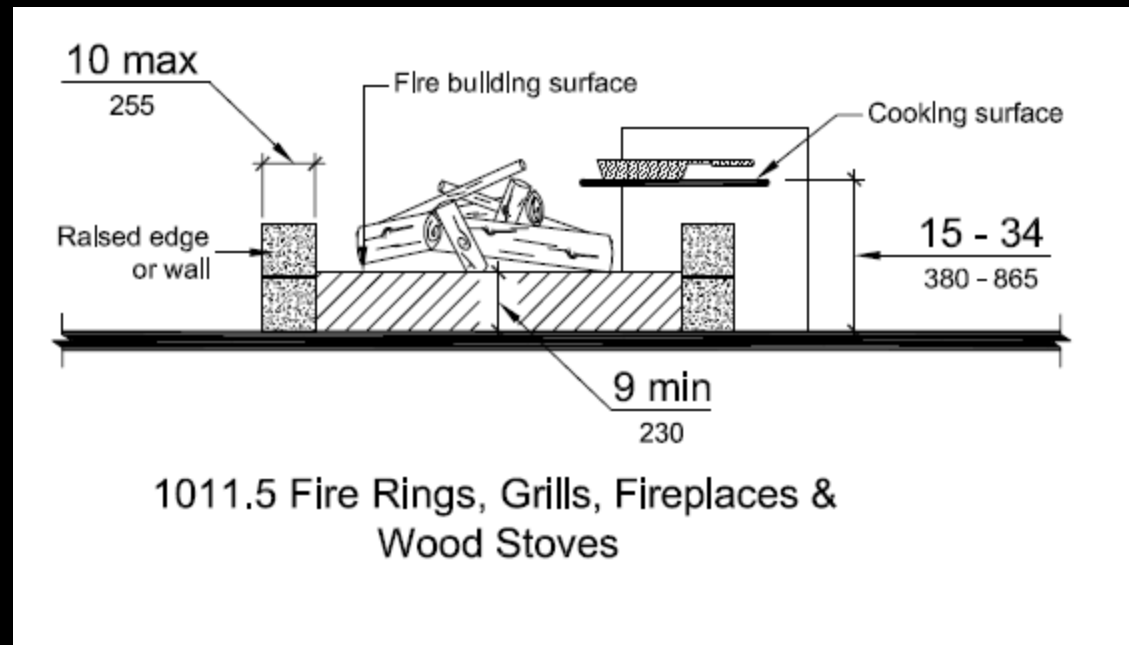
15"min - 34"max

Fire Building Surface:

9"min above
Adjacent surface

Raised Edge or Wall:

10" wide max



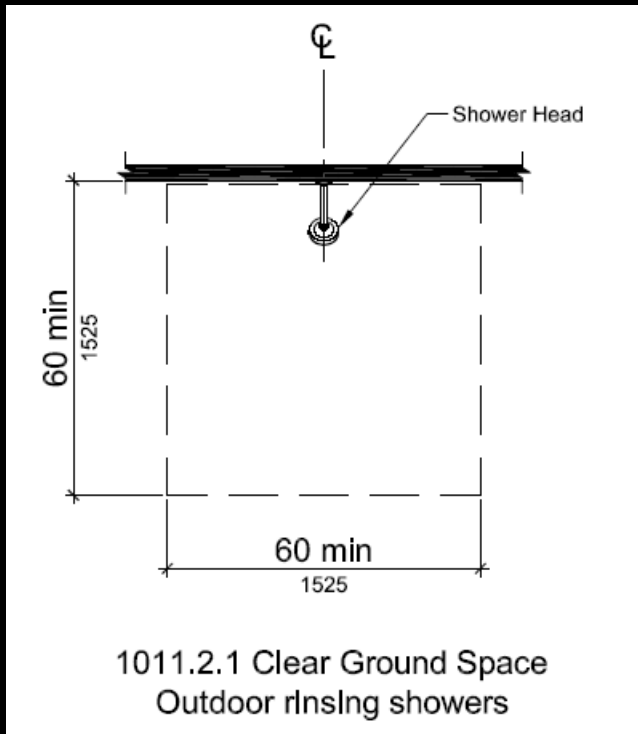


Outdoor Rinsing Shower





Outdoor Rinsing Shower



Clear Space:

60"min x 60"min

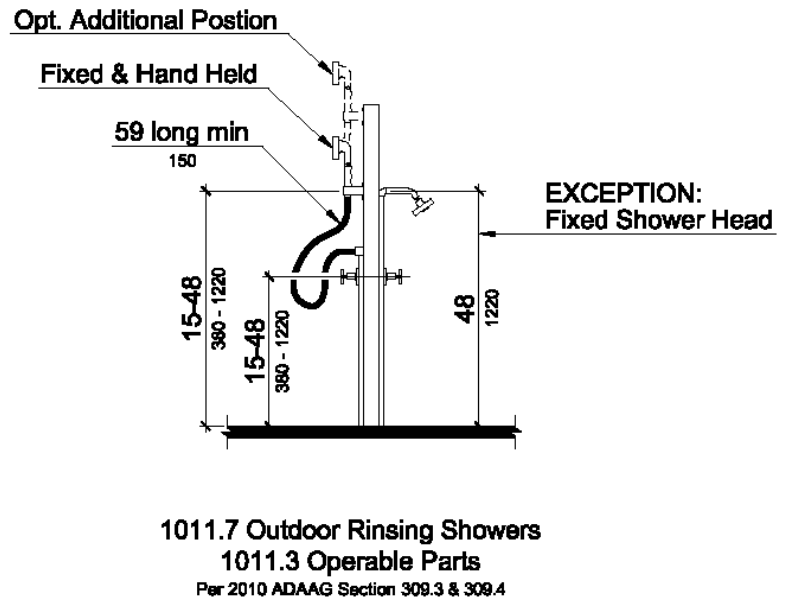
Centered on Shower Head

Shower pedestal or wall

with shower head at rear



Outdoor Rinsing Shower



Shower Head:

Hand-held spray unit with a hose 59" long minimum
At least one fixed position located 15" min and 48" max above the ground



EXCEPTION: Where vandalism is a consideration, a fixed shower head located at 48" is permitted in place of a hand-held

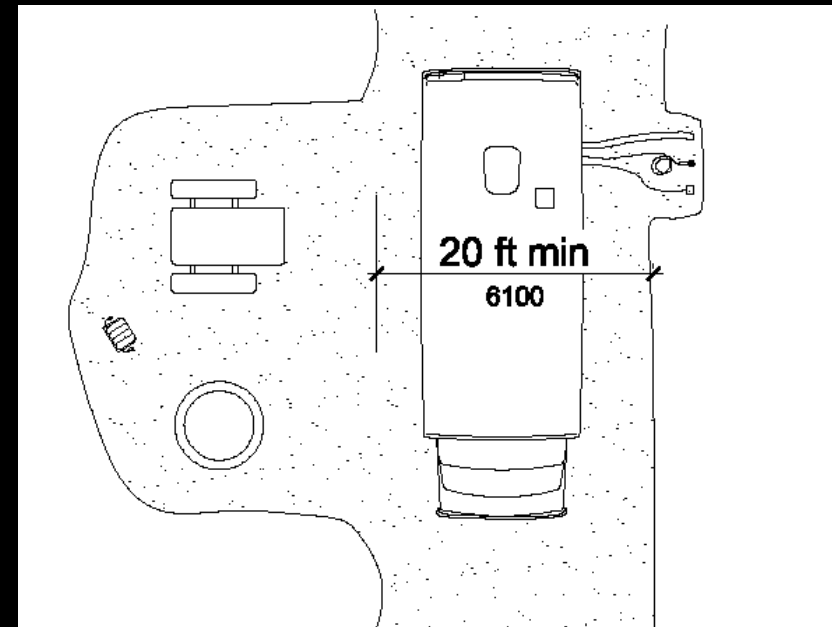


Parking Spaces Within Camping & Picnic Units

Recreational Vehicle Pull-up Spaces



Clear Width: 20ft wide min



**1012.2 Recreational Vehicles
Parking Spaces in Camping Units and Picnic
Units and Pull-Up Spaces at RV Dump
Stations with Mobility Features**

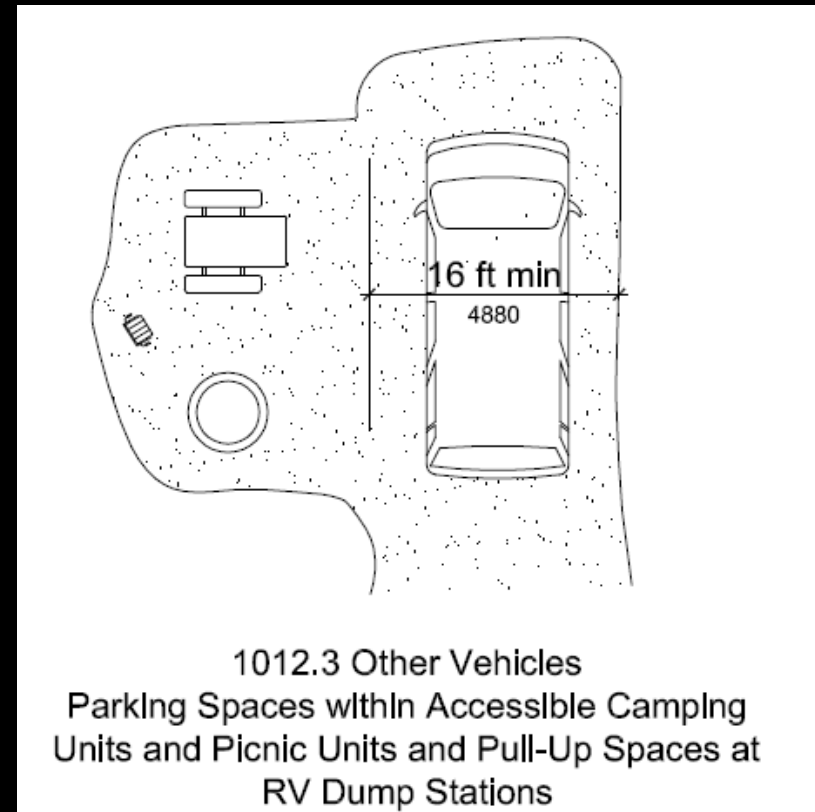


Parking Spaces Within Camping & Picnic Units

Other Vehicles



Clear Width:
16ft wide min



1012.3 Other Vehicles
Parking Spaces within Accessible Camping
Units and Picnic Units and Pull-Up Spaces at
RV Dump Stations



Parking Spaces Within Camping & Picnic Units

Surface:

Firm and stable

Slope:

Not steeper than 2% in any direction

EXCEPTION: Where the surface is other than asphalt, concrete, or boards, slopes not steeper than 5% shall be permitted when necessary for drainage

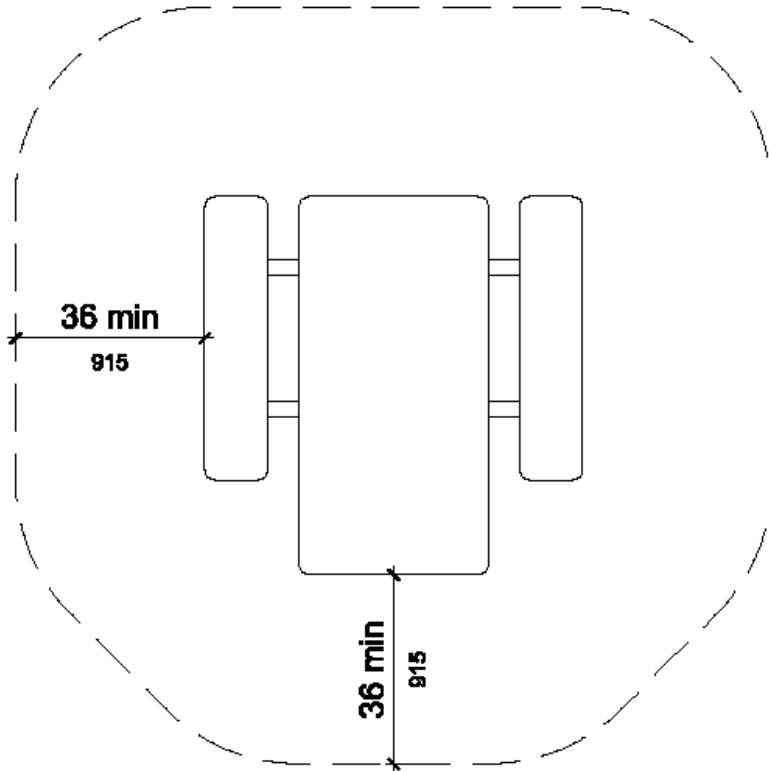


Picnic Tables





Picnic Tables



1011.2.1 Clear Ground Space - Picnic Tables

Clear Ground Space:
36" min all useable
sides



Picnic Tables

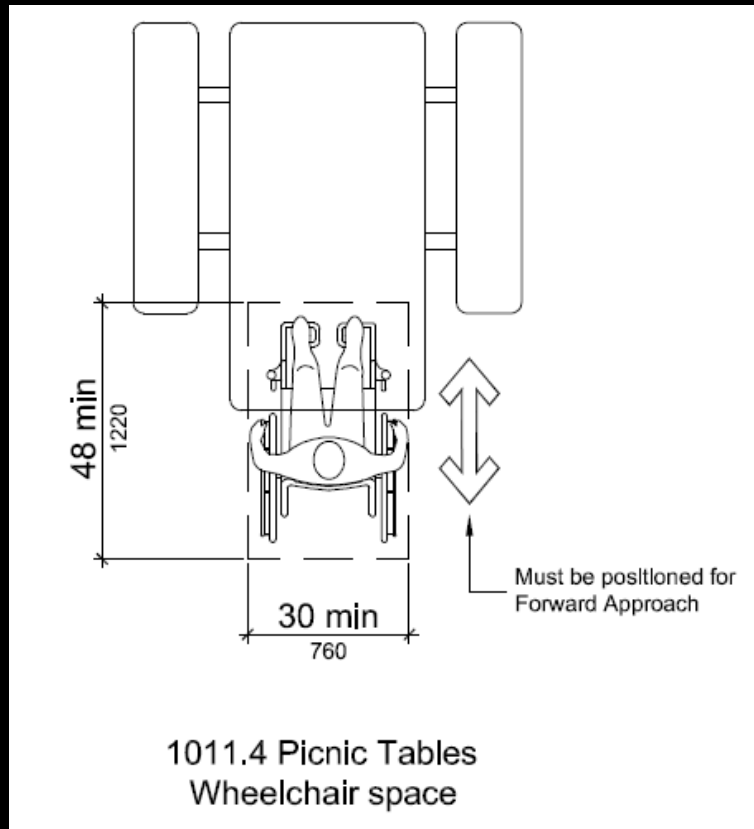


Wheelchair space:

Min one for each 24 linear ft of usable surface perimeter



Picnic Tables



Wheelchair spaces

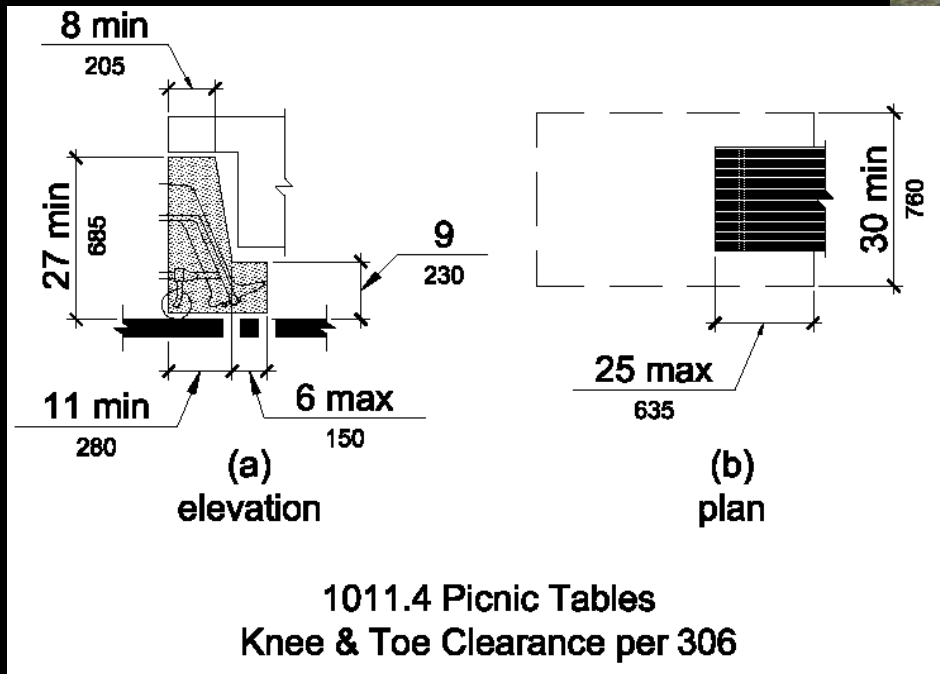
30" min by 48" min

Positioned for forward approach

Knee and toe clearance complying with 306 under the table.



Picnic Tables



Wheelchair spaces

Knee and toe clearance
complying with Sec 306



Tent Pads & Tent Platforms

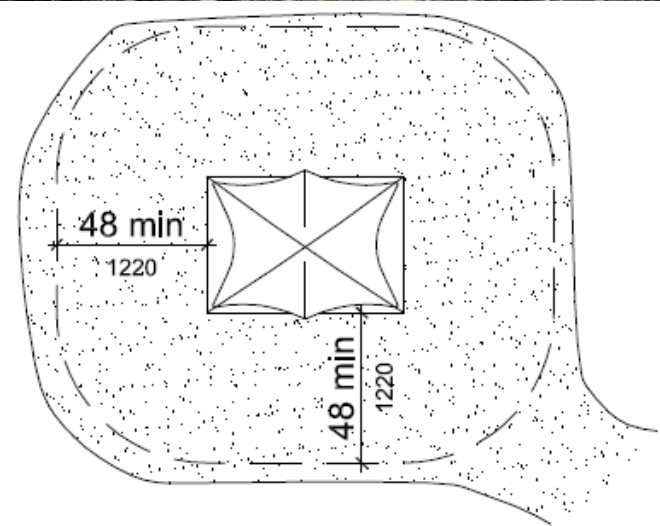
Clear Ground Space:

provided on all usable sides
of pads and platforms

48" min width

Surface:

Firm & Stable, but allow use
of tent stakes and other
tent securement devices



1013.2. Clear Ground Space
Tent Pads and Tent Platforms



Tent Pads & Tent Platforms

Slope:

2% max any direction

EXCEPTION: 5% max
unpaved surface where
necessary for drainage

Platform Height:

19" high max

Measured from the clear ground
space to the tent platform surface





Trash & Recycling Receptacles



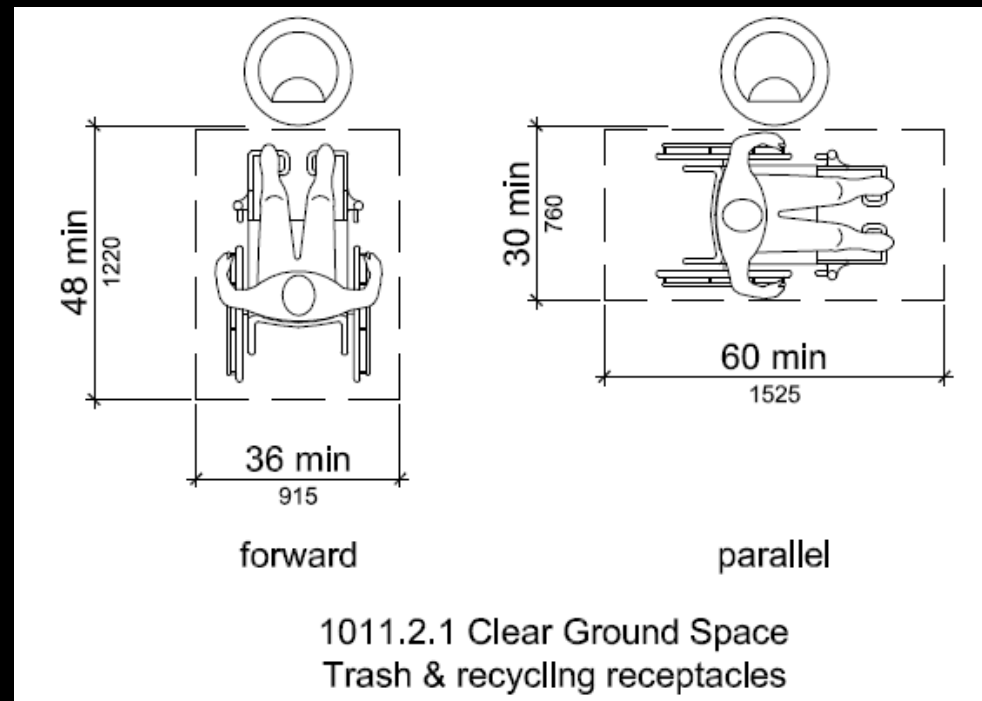


Trash & Recycling Receptacles

Clear Ground Space:

36" x 48" min at
Forward Approach

60" x 30" min at
Parallel Approach





Trash & Recycling Receptacles

Operable Parts:



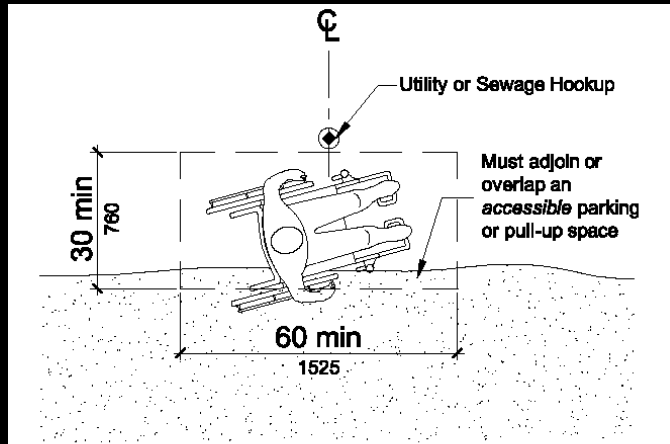
Receptacles with hinged lids and controls to keep out large animals shall comply to the extent practicable

Dumpster type receptacles shall not be required to comply





Utility or Sewage Hookup



1011.2.1 Clear Ground Space
Utility and sewage hookups



Clear Space:

30" by 60" min

Long side adjoining or overlapping accessible parking or pull-up

Locate so hook-ups are at rear center

Not obstructed by bollards or other barriers



Viewing Areas

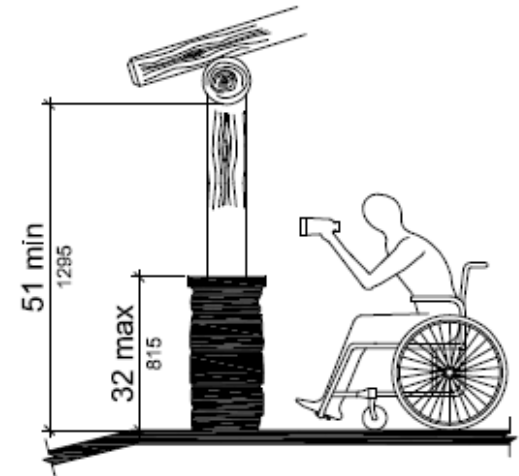
Clear Ground Space:

Provided at each distinct viewing location

36" min by 48" min

Clear Viewing Space:

From 32" max to 51" min



1015.3 Unobstructed View
Viewing Areas



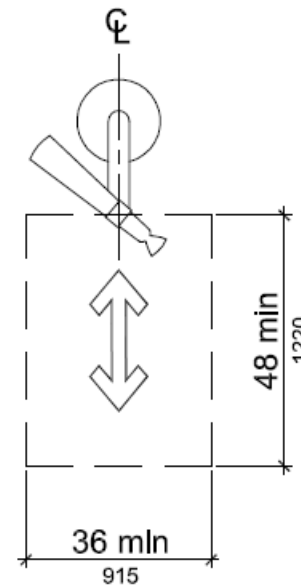
Viewing Scope

Clear Ground Space:

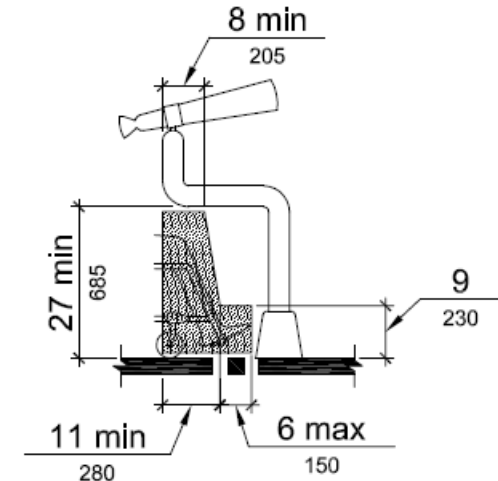
36" min x 48" min

Centered on Eye Piece

Knee & Toe Clearance
per Sec 306



1011.2.1 Clear Ground Space
Viewing scopes

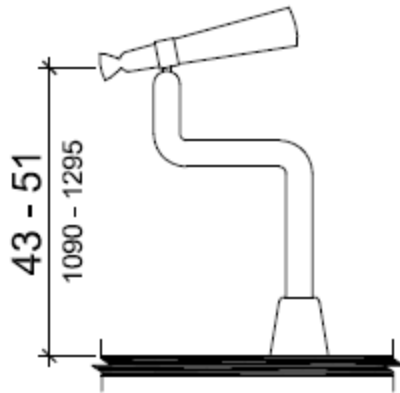


1011.2.1 Clear Ground Space
Viewing scopes, Knee & Toe Clearance (306)



Viewing Scope

Eye Piece Height:
43"min and 51"max



1011.2.1 Clear Ground Space
Viewing scopes, Knee & Toe Clearance (306)





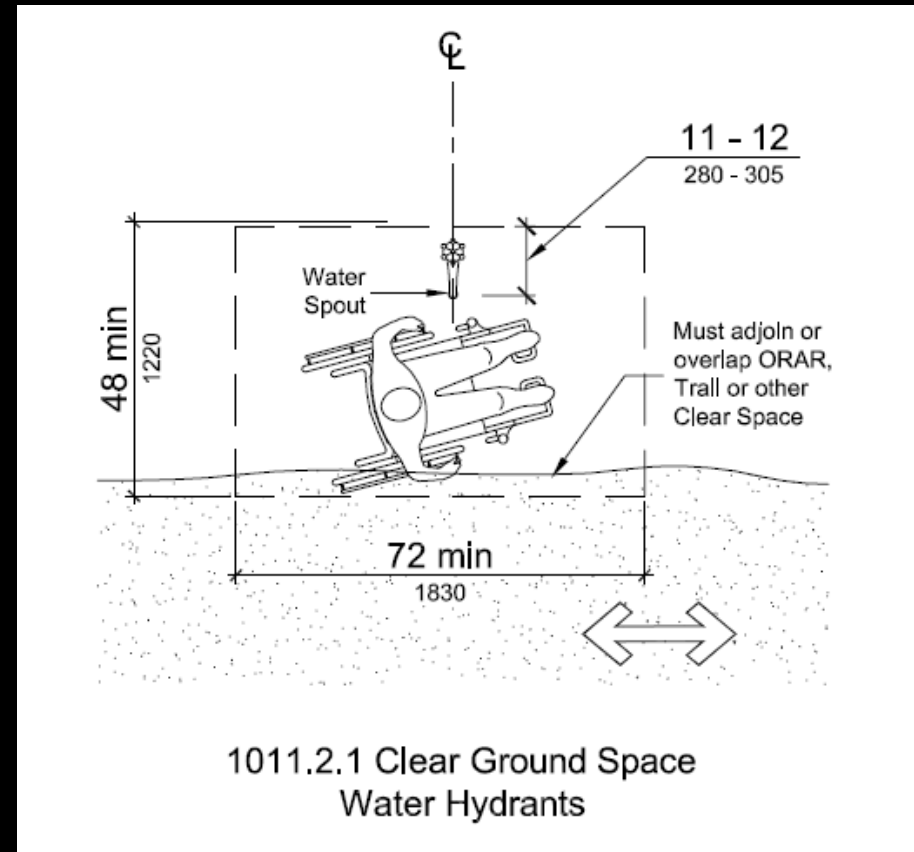
Water Spouts

Clear Ground Space:

72"min x 48"min

Spout located 11-12"
from back center

Adjoin or overlap
ORAR, Trail or other
Clear Space





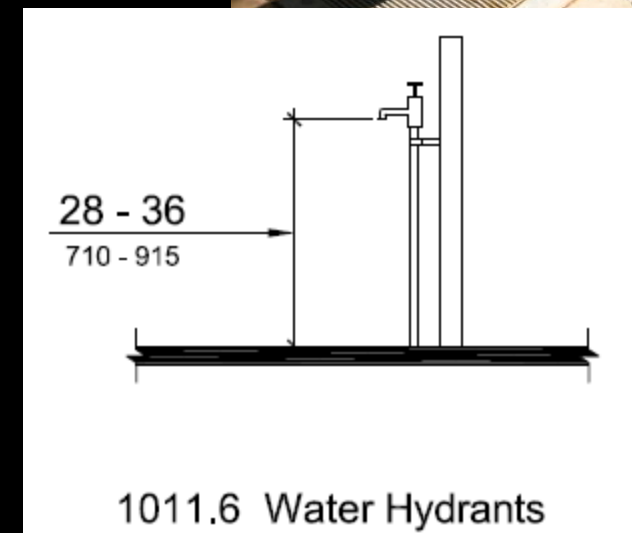
Water Spouts

Spout Height:

28"min and 36"max above
ground surface

Operable parts:

Comply with 309.3 & 309.4
to extent practicable



Acknowledgement (DORAP)

Phase I & II funding for the Developed Outdoor Recreation Assessment Process was provided by the U.S. Department of Agriculture through the Small Business Innovation and Research program Grant number 2013-33610-21051

Beneficial Designs, Inc.

Minden, Nevada

www.beneficialdesigns.com

trails@beneficialdesigns.com

775.783.8822 voice

775.783.8823 fax

*Working toward universal access
through research, design & education*